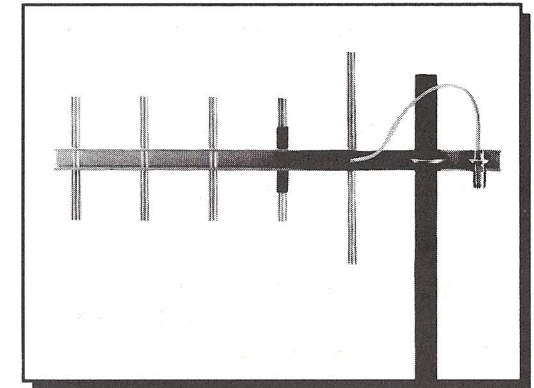


COMTELCO INDUSTRIES

Y22XX, Y33XX, Y33XXX

Yagi Antennas



WARNING

You could be killed if any antenna comes in contact with electric power lines or is brought into proximity of any high voltage electric field. For your own safety, use extreme caution when installing this or any antenna. Always keep away from power lines.

**COMTELCO INDUSTRIES INC.
501 MITCHELL ROAD
GLENDALE HEIGHTS, IL 60139
1-800-634-4622**

INSTALLATION INSTRUCTIONS

**COMTELCO INDUSTRIES INC.
501 MITCHELL ROAD
GLENDALE HEIGHTS, IL 60139
1-800-634-4622**

COMTELCO INDUSTRIES

Y224X	Series Yagi Antennas
Y228X	Series Yagi Antennas
Y334X	Series Yagi Antennas
Y338X	Series Yagi Antennas
Y33XXX	Series Yagi Antennas

Congratulations on your purchase of a Comtelco Yagi antenna.

Every Comtelco Yagi is 100% inspected and is designed to provide excellent performance and reliability for many years.

When choosing an antenna, it is always desirable to use an antenna that has the lowest gain that will adequately make the system work reliably.

Yagi antennas are very directional. Therefore care must be taken to insure the antenna is accurately directed at the desired site. This becomes even more important when using higher gain yagis. Generally the higher the gain of an antenna the narrower its beam width.

An ideal installation will take advantage of local terrain and building locations. The antenna should always be mounted at the highest, unobstructed location available.

Note: Installations that meet performance goals during months that trees are barren and foliage is at a minimum may prove to be unacceptable in the spring when the sap is running and leaves begin to appear.

INSTALLATION INSTRUCTIONS

The installation of these antennas is relatively easy. Vertical polarization (elements pointing up and down) is normal for these antennas. The shorter elements point toward the signal source.

Y22XX Series Antennas

A single U bolt is used to mount a Y228X series standard duty yagi to a maximum 1 1/2" mast. (The Y224X series will mount to a maximum 1" diameter mast).

If the yagi is a pigtail version, a second 1" U bolt can be used to secure the connector to the boom.

Y33XX Series Antennas

A V bolt and block is used to mount a Y33XX series heavy duty yagi to a maximum 2 3/8" mast. The block assembly will accommodate either a vertical or horizontal mounting. (Fig 1) & (Fig 2).

Y33XXX Series Antennas

Heavy duty yagis of 10 elements or more can be supplied with an additional mounting block and plate for added strength. See YDM2 kit below.

A YDM2 optional double mount plate (Fig 3.) is available for added strength and a more rugged installation.

When installing yagis with a TNC termination, care should be taken to provide good support for the coax transmission lines. The weight from an unsupported coax feed line can mechanically stress the TNC interconnect and cause permanent damage.

Fig 1

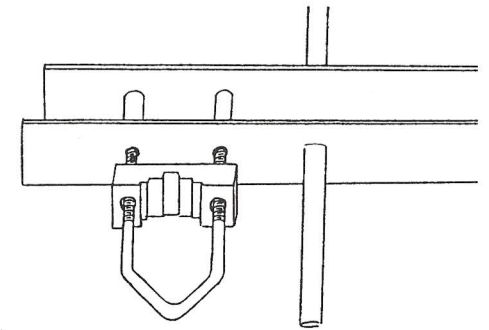


Fig 2

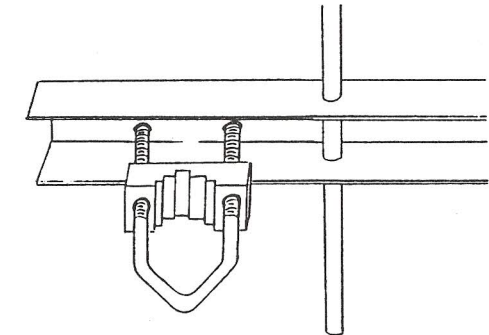


Fig 3

