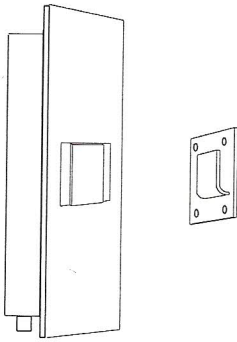


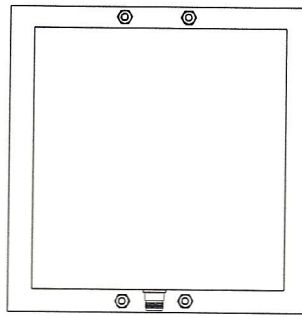
PANEL MOUNT OPTIONS



Standard Slip Mount

NO SUFFIX

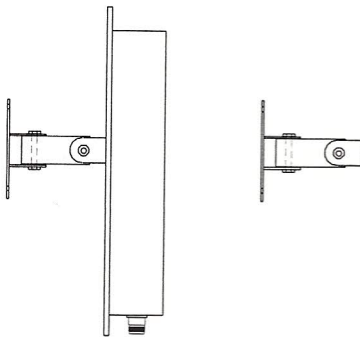
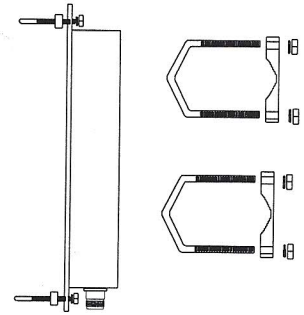
For mounting on a flat wall or pole with a separate backplate that accepts the slip-on integrated mounting bracket on the back of the panel antenna.



Stainless Steel V Bolt Mount & Aluminum V Block

V SUFFIX

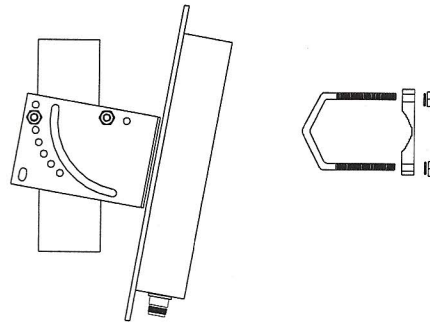
For mounting on a flat wall or pole with a heavy duty V bolt and block assembly that will accept a 2 1/2" mast. With this mount the panel can be adjusted side to side with some up or down adjustment when used on a mast.



Indoor Swivel Mount

SM SUFFIX

For mounting on walls or ceiling with ability to direct signal up or down and side to side.



Outdoor Universal Heavy Duty Swivel Mount

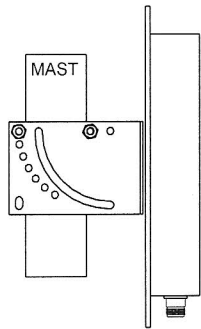
HDSM SUFFIX

For mounting on walls or pole with ability to direct signal up or down and side to side. Supplied with one V Bolt and an outdoor swivel mount. The mount will accommodate a 2 1/2" mast.

SPECIFICATION # 68A169A REV: 0 DATE: 09/15/11

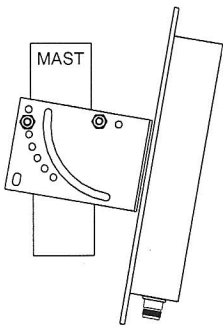
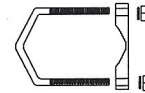
COMTELCO INDUSTRIES INC.
501 MITCHELL RD. GLENDALE HEIGHTS, IL 60139
PHONE: 630-790-9894 FAX: 630-790-9799

USING HDSM UNIVERSAL OUTDOOR SWIVEL MOUNT

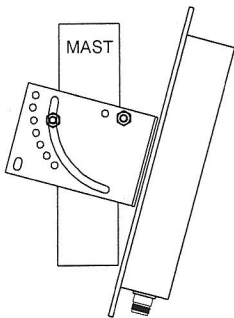


For a standard mount ,without the for downtilt capability, the V bolt should be mounted in the two top holes as shown. 360 degree coverage is available in all mounting option using this mount.

When used in this configuration, a second optional V bolt can give added durability to the application.



For mounting on a mast with with ability to direct the signal 360 degrees and downward in 10 degree increments, the V bolt can be mounted as shown above. By choosing the correct hole in the series general targeting is acheived.



For more exact vertical signal control mounting the V bolt through the slide area allow for precise targeting of the signal.

In all options using this mount it will accomodate a 2 1/2" diameter mast.

SPECIFICATION # 68A170A | REV: 0 | DATE: 09/15/11

COMTELCO INDUSTRIES INC.
501 MITCHELL RD. GLENDALE HEIGHTS, IL 60139
PHONE: 630-790-9894 FAX: 630-790-9799