

Technical Specification

902-928 MHz 3 dBi

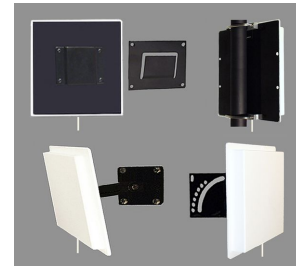
B26915LH

PANEL ANTENNA

Performance: Directional antenna for the 902 thru 928MHz band providing 3dBi gain.

Stylish and Durable: These antennas are manufactured using the finest materials available. They provide great performance in a stylish package. All the plastic parts are molded using UV ABS material. All 26 Series panels are supplied with a 12" pigtail.

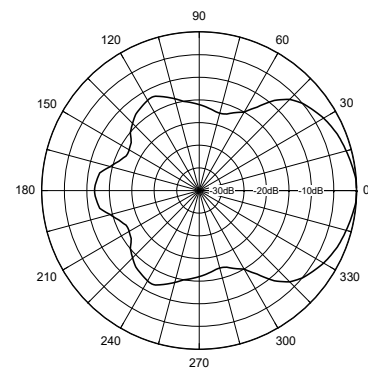
Mounting: Multiple mounting options are available. These include standard Slip mount, V-Bolt with V-Block, Indoor swivel mount and Heavy duty outdoor universal swivel mount.



SPECIFICATIONS:

FREQUENCY RANGE:	902-928MHz
GAIN:	3 dBi
FRONT TO BACK:	20dB
VSWR:	1.5:1
VERT BEAM WIDTH:	80°
HORIZ BEAM WIDTH:	80°
POLARIZATION:	LH Circular
IMPEDANCE:	50 ohms
POWER RATING:	25 watts
RADOME:	ABS, UV
COLOR:	Off white
TERMINATION:	"12" (30cm) Pigtail "N"
THICKNESS:	1/2" (1.27cm)
MOUNTING:	Standard Slip Mount V-Bolt & V-Block Indoor swivel mount Heavy duty Outdoor swivel mount
	-V -SM -HDSM
OVERALL SIZE:	4 1/2" (11.4cm) x 4 1/2" (11.4cm)
FLAT PLATE AREA:	.1406 ft ²
WIND RATING:	125 MPH (201kph)
WIND LOAD:	9.5 lbs.(4.3kg)

Horizontal Pattern



Vertical Pattern

