

Technical Specification

1450-1550 MHz YAGI

Y221510

YAGI ANTENNA

High Performance: This 10 element yagi antenna provides 10dBd gain with wide band performance.

Rugged and weatherproof: The construction of our standard duty yagis feature aluminum U channel with solid elements. All exposed areas are coated with UV polyester.

Lightweight and Durable: This yagi antenna is easily installed by one person, yet is designed to withstand 100 MPH winds.

Termination Options:

Type A: 12" (30cm) Teflon pigtail with N connector.

Type B: Direct TNC connection to the balun.



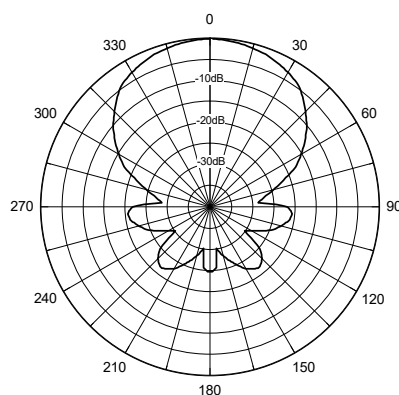
MECHANICAL SPECIFICATIONS

MATERIAL:	1/2" (1.27cm) aluminum U channel boom 3/16" solid elements
FINISH:	UV inhibited polyester coat
LENGTH:	29" (73cm)
WEIGHT:	1 lb. (453g)
MOUNTING:	1 5/8" (1.4cm) mast maximum
FLAT PLATE AREA:	.124 ft ²
WIND RATING:	125 MPH (201kph)
WIND LOAD:	7.4 lbs. (3kg)

ELECTRICAL SPECIFICATIONS

GAIN:	10.dBd
FREQUENCY:	1450-1550MHz
F to B RATIO:	20dB
BANDWIDTH:	100MHz
VSWR:	<2:1
POWER RATING:	150 watts
IMPEDANCE:	50 ohms

Horizontal Pattern



Vertical Pattern

